

Technical data sheet

Product features



Utensil dishwasher double skin 70x70 - 400 V

Model	SAP Code	00011972
S 202 ABT	A group of articles - web	Undercounter, continuous and black ware dishwasher



- To the product for free: 1x RM Clean+ 12 kg (00012271) and 1x RM Rinse+ 10 kg (00012273)
- Display type: LCD multifunction display
- Number of programs: 8
- Number of skin: 2
- Door clear height [mm]: 850
- Rack size [mm]: 700 x 700
- Drain pump: No
- Water consumption of the washing cycle [l/basket]: 4
- Washing cycle time [s/basket]: 120-240-360-720 sec.
- Detergent and rinse pump system: ProDose - accurate dosing with a peristaltic pump
- Wash pump type: two-way - DuoFlow
- Self-cleaning cycle: Yes
- Drain filter: ArchiMedes - double filtration with overflow discharge ensures only 18% loss of clean water to waste

SAP Code	00011972	Boiler power [kW]	8.000
Net Width [mm]	850	Basin volume [l]	68
Net Depth [mm]	850	Tank power [kW]	8.000
Net Height [mm]	1930	Water consumption of the washing cycle [l/basket]	4
Net Weight [kg]	181.00	Washing cycle time [s/basket]	120-240-360-720 sec.
Power electric [kW]	18.700	Door clear height [mm]	850
Loading	400 V / 3N - 50 Hz	Rack size [mm]	700 x 700
Boiler capacity [l]	12.00		

Technical data sheet

Technical drawing



Utensil dishwasher double skin 70x70 - 400 V

Model

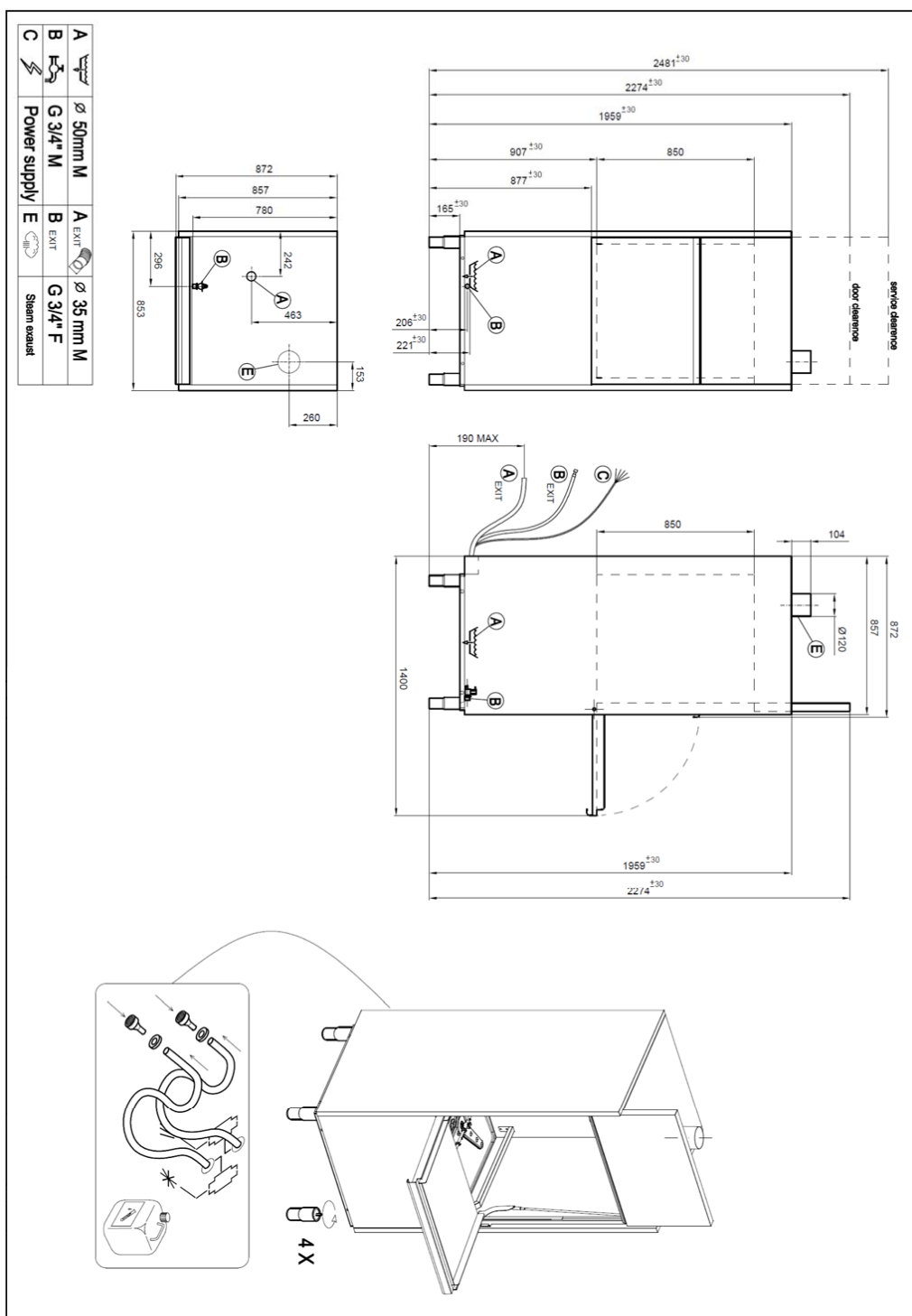
SAP Code

00011972

S 202 ABT

A group of articles - web

Undercounter, continuous and black ware dishwasher



Technical data sheet

Product benefits



Utensil dishwasher double skin 70x70 - 400 V

Model	SAP Code	00011972
S 202 ABT	A group of articles - web	Undercounter, continuous and black ware dishwasher

1 **Stainless steel outer shell construction**
round construction with stainless steel, rounded edges, Deep-drawn bathtub
– easy cleaning, high hygiene standard, long service life

2 **Stainless steel washing arms**
upper and lower arms with stainless steel, separated for washing and rinsing, triple upper arm
– easy and safe handling during cleaning; higher user comfort

3 **LED Display**
smartScreen, a large color graphic display showing the washing progress
– easy control of the dishwasher operation
– continuous information on the status of the wash cycle
– diagnostics in the event of a fault

4 **Double pump**
unique two-way DuoFlow pump
– distributes the water pressure evenly between the upper and lower arms; no noise; allows the use of a weaker pump

5 **Detergent dispensers**
two detergent and rinse aid dispensers
– precise chemical dosing by ProDose - precise dosing system for detergent and rinse aid by peristaltic pump setting of values via control panel

6 **Double filter system**
the chamber filter and the waste filter together with the ArchiMedes system provide a discharge system with increased water purification efficiency
– higher washing efficiency; longer life of the washing bath

7 **Energy saving**
energy saving energy saving system due to lowering the temperature of the boiler
– cost saving

8 **Protection of fragile dishes**
softstart system for gradual start of washing programs to protect fragile dishes
– protects stemmed glasses and other fragile utensils

9 **Double shell construction**
stainless steel construction with insulated double jacket
– quiet operation
– energy saving

10 **Fast heating**
performance management allows the current running of the boiler and basins body
– quick first warm-up of the dishwasher
– smooth operation

11 **Air break tank**
the open system of the boiler rinse, in cooperation with the rinse pump, ensures a constant pressure and temperature of the rinse
– possibility to use in HACCP systems water temperature suitable for sterilization

Technical data sheet

Technical parameters



Utensil dishwasher double skin 70x70 - 400 V

Model	SAP Code	00011972
S 202 ABT	A group of articles - web	Undercounter, continuous and black ware dishwasher

1. SAP Code:

00011972

2. Net Width [mm]:

850

3. Net Depth [mm]:

850

4. Net Height [mm]:

1930

5. Net Weight [kg]:

181.00

6. Gross Width [mm]:

1000

7. Gross depth [mm]:

950

8. Gross Height [mm]:

2200

9. Gross Weight [kg]:

191.00

10. Device type:

Electric unit

11. Control type:

Digital

12. Material:

AISI 304

13. Power electric [kW]:

18.700

14. Loading:

400 V / 3N - 50 Hz

15. Number of programs:

8

16. Opening of device:

Tilting down

17. Door clear height [mm]:

850

18. Inlet pressure [bar]:

1-6

19. Adjustable feet:

Yes

20. Number of skin:

2

21. Self-cleaning cycle:

Yes

22. Boiler capacity [l]:

12.00

23. Boiler power [kW]:

8.000

24. Basin volume [l]:

68

25. Tank power [kW]:

8.000

26. Number of arms for both rinsing and washing:

2

27. Arm connection:

Hand loosen/tighten screw

28. Washing arm type:

Rotating trident

Technical data sheet

Technical parameters



Utensil dishwasher double skin 70x70 - 400 V

Model	SAP Code	00011972
S 202 ABT	A group of articles - web	Undercounter, continuous and black ware dishwasher

29. Washing arm material:

Stainless steel

30. Atmospheric boiler with rinse pump:

Yes

31. Rinsing arm type:

Rotating trident

32. Rinsing arm material:

Stainless steel

33. Deep drawn tank:

Yes

34. Rack support:

Pressed

35. Tank surface strainers:

stainless steel

36. Drain filter:

ArchiMedes - double filtration with overflow discharge ensures only 18% loss of clean water to waste

37. Thermostop:

Yes

38. Boiler thermostat adjust:

Yes

39. Detergent and rinse pump system:

ProDose - accurate dosing with a peristaltic pump

40. Energy Saving system:

EnergySaving - Energy saving system due to lowering the boiler temperature

41. Rinse system:

UltraRinse2 - stainless steel rinsing arms including stainless steel nozzles with a geometry for spraying water in thin jets directly against the dishes, the rinsing pump ensures constant pressure

42. Heating system:

HotWash - System of simultaneous operation of the heating element of the bath and the boiler, reducing the time for starting the next cycle

43. Quick heating system:

QuickReady - System for rapid heating of water in the tank

44. Hot water electric valve:

Yes

45. Closing door system:

ProSoft - Reduces noise, dampens the door stop, which could cause damage to dishes

46. Rack size [mm]:

700 x 700

47. Display type:

LCD multifunction display

48. USB port:

Yes, for Firmware actualisation

49. Drain pump:

No

50. Self-diagnostics:

Yes

Technical data sheet

Technical parameters



Utensil dishwasher double skin 70x70 - 400 V

Model	SAP Code	00011972
S 202 ABT	A group of articles - web	Undercounter, continuous and black ware dishwasher

51. Wash pump type:

two-way - DuoFlow

52. Detergent dispenser:

Yes

53. Rinse aid dispenser:

Yes

54. Water consumption of the washing cycle [l/basket]:

4

55. Washing cycle time [s/basket]:

120-240-360-720 sec.

56. Rinse water temperature [°C]:

80-85

57. Additional information:

Also possible: 230 V / 3N or 230 V / 1N (must be specified when ordering)

58. Program ProFessional 2:

Yes

59. Program ProFessional 4:

Yes

60. Program ProFessional 6:

Yes

61. Program ProFessional 8:

Yes

62. Program ProFessional 10:

Yes

63. Program ProSelf:

Yes

64. Program ProEco:

Yes

65. Program ProLong:

Yes

66. Cross-section of conductors CU [mm²]:

5

67. Water supply connection:

3/4"

68. Diameter nominal:

DN 50